



MAX-E1™ Premium Efficiency

Severe Duty Motor



CCC02A

HEAD OFFICE
Teco Electric & Machinery Co., Ltd
10F No.3-1, Yuan Cyu St.
Taiwan ROC
Tel: +886 2 6615 9111
www.teco.com.tw

UNITED STATES
Teco-Westinghouse Motor Company
P.O. Box 227 (76880-0277)
5100 N.HS5
Round Rock, Texas 78681 USA
Tel: +1 512 255 4141
+1 800 873 8826
www.tecowestinghouse.com

CANADA
Teco-Westinghouse Motors Inc. (Canada)
18060-109th Ave
Edmonton, Alberta T5S 2K2 Canada
Tel: +1 780 444 8933
Fax: (780) 486-4575
24 HR Emergency Pager:
(780) 419 7734
Toll Free: 800-661-4023
Fax Toll Free: 888-USE-TWMI
www.twmi.com

UNITED KINGDOM
Teco Electric Europe Ltd.
26 Bond, Europa Way
Old Trafford, Manchester
M17 1WF England
Tel: +44 161 877 8025
www.teco.co.uk

NETHERLANDS
Teco Electric & Machinery B.V.
Teco's European Head Office
Rivium 3e Straat 27
2909 LH Capelle a/d IJssel
The Netherlands
Tel: +31 10 266 6633
Fax: +31 10 202 6415

GERMANY
Teco Electric & Machinery B.V.
Niederlassung Deutschland,
Marktstrasse 10
69 37441 Bad Sachsa
Germany
Tel: +49 5523 95340
Fax: +49 5523 953424
www.teco-westinghouse.de

SPAIN
Teco Electric & Machinery B.V.
Spain Office
C/Apostol Santiago, 38, 1º-1
28017 Madrid, Spain
Tel/Fax: 34-91-326-50-81
E-mail: info@tecoestinghouse.es

TURKEY
OPTIMER Elektrik Makina Ltd.
Inonu cad. Sirkko Sitesi IM-A blok
No: 2-kozyatagi-istanbul 34742
Shanghai, PRC
Tel: +90-216-464 54 13Pbx.
Fax: +90-216-464 54 47

SAUDI ARABIA
Al Qurayishi Electrical Services of S.A.
Al Qurayishi Center, King Khalid Street,
P.O. Box 7386, Dammam-31462
Tel: +966 3 857-2537
Fax: +966 3 857-2541
www.aqesa.com

IRAN, AZERBAIJAN & ARMENIA
ATLAS DIBA Engineering & Trade Co.
No.3, Fakouri St., South Kadaj Ave.
Golha Sq., Fatemi, Tehran, Iran
Tel: +98 21 88 33 03 81-3
Fax: +98 21 88 33 03 84
www.atlasdibaco.com

EGYPT
Amsol & Co.
38 Messadak Street Dokki, Giza, Egypt
Tel: +202 333 73 774
Fax: +202 376 20 307

SOUTH AFRICA
ArmCool Afrika (Pty) Ltd.
Unit 3 Prestige Park 127 Main Reef Road
Technikon, Roodepoort
PO Box 500 Maraisburg 1700
Gauteng South Africa
Tel: +2711 763 2351
Fax: 0666 318 598
www.armcool.co.za

AUSTRALIA
Teco Australia Pty Ltd.
335-337 Woodpark Road
Smithfield NSW 2164 Australia
Tel: +61 2 9765 8118
www.teco.com.au

NEW ZEALAND
Teco New Zealand Pty Ltd.
Unit 3, 477 Great South Road
Penrose Auckland New Zealand
Tel: +64 9 526 8430

JAPAN
Sankyo Co., Ltd.
26th fl. World Trading Center Bldg.
2-4-1 Hamamatsucho Minato-ku
Tokyo, Japan 105-6126
Tel: +81 3 3435 9729
Fax: +81 3 3578 8381

SINGAPORE
Teco Electric & Machinery (PTE) Ltd.
18 Chin Bee Drive
Singapore 619685
Tel: +65 6 265 4622
www.teco.com.sg

INDONESIA
P.T. Teco Multiguna Elektro
JL. Bandengan Utara No. 6371-2/3
Jakarta Utara-14440 Indonesia
Tel: +62 21 682 2201

CHINA
Shanghai Office
Rm 321 Building No.6
Lane 1279 Zhongshan W. Rd.
Shanghai, PRC
Tel: +86 21 5116 8255
Fax: +86 21 6278 8761

Wuxi Teco Electric & Machinery Co., Ltd
No. 9 South of Changliang Road,
New Zone, Wuxi,
Jiangsu Province, PRC
Tel: +86 510 8534 2005
Fax: +86 510 8534 2001
www.wuxiteco.com

Jiangxi Teco Electric & Machinery Co., Ltd
189 Dongyuan Rd. Hi-Tech Zone, Nanchang
Jianxi Province, PRC
Tel: +86 791 819 5999
Fax: +86 791 816 7730

Suzhou Teco Electric & Machinery Co., Ltd
No. 1 Changliang W.Rd. Luhe
Taicang City, Suzhou,
<https://may.bomteco.vn/>
HP: 0352183679
HP: +86 512 8534 2001

Fujian Teco Precision Co., Ltd.
Xiayang, Jiazhao, Zhanggang Village, Saiqi
Development
Zone, Fuan, Fujian, China
Tel: +86 593 633 0300
Fax: +86 593 633 0303

HONG KONG
Tecoson Industrial Development
(HK) Co., Ltd.
Rm 3712 Hong Kong Plaza
186-191 Connaught Rd. West
Hong Kong
Tel: +852 2858 3220

MALAYSIA
STE Marketing SDN BHD
6 Jalan Firma 2 Kawasan Perindustrian,
Telok 1 81100 Johor Bahru Johor Malaysia
Tel: +60 7 854 8008

THAILAND
Teco Electric & Machinery
(Thai) Co., Ltd.
128/1 Soi Watsivarenoi
Moo 7 Bangna-Trad Road Km 18
Bangchalong Bangkok
Samudhrakam 10540 Thailand
Tel: +662 3371311- 20

VIETNAM
Teco (Vietnam) Electric & Machinery Co., Ltd
KCN LONG THINH, Huyen Long Thinh,
Tinh Dong Nai, Vietnam

<https://may.bomteco.vn/>
HP: 0352183679

PHILIPPINES
Trade One
No. 56 Alaguna Street San Francisco
Del Monte 1100 Quezon City Metro Manila,
Philippines
Tel: (632) 371-3032
Fax: (632) 371-1175
www.tradeoneinc.com



Max-E1 Motors, Type AEHE:

In most industrial plants, motor electrical consumption accounts for up to 75% of the total electricity bill.

Compared with standard efficiency designs, the MAX-E1 will reduce your electrical bill and lower production costs. Also, it will provide for lower loading on electrical distribution circuits. In fact, the high efficiency design of the MAX-E1 can save you thousands of dollars over the life of the motor.

Furthermore, low temperature operation reduces fatigue and adds to the overall bearing life.

Impressive Design Features:

- * Non-hygroscopic, Class F insulation system.
- * High-grade, electro-magnetic steel laminations for low core loss and high efficiency.
- * All cast-iron construction including frame, end brackets, fan cover and conduit box for rigidity and excellent corrosion resistance.
- * Reinforced end turn lacing
- * Neoprene lead separator
- * High performance bearings of degassed steel
- * 90° rotatable oversized cast iron conduit box for easy connection.
- * Corrosion-resistant, non-sparking external fan.
- * Dynamically balanced pressure die-cast aluminum rotor.
- * Epoxy or phenolic rust-proof base coat
- * Zn-Cd coated hardware
- * CSA Certified for Class I, Division 2, Groups B, C, and D, with Temperature Code T3C.(CSA File 64671)

Name Plate

TECO™		MAX-E1™		PREMIUM EFFICIENCY SEVERE DUTY 3-PHASE INDUCTION MOTOR	
TYPE	OUTPUT	HP	KW	FRAME	TEFC
POLES	Hz	INS.	F		
VOLTS	AMPS				
R.P.M.	DESIGN	AMB.	40C.		
NEMA MIN. EFF.	NEMA MIN. EFF.				RATING CONT.
S.F.	1.15	BEARINGS			
CODE		SERIAL NO.			
USABLE ON	V	NETWORK AT			AMP.
TECO Elec. & Mach. Co., Ltd.					



Performance Data

ITEM		STANDARD SPECIFICATION
RATING	KIND OF MOTOR	SQUIRREL-CAGE INDUCTION MOTOR (SCIM).
	DESIGN STANDARD	NEMA MG-1, MG-13.
	VOLTAGE	50Hz: 380V 60Hz: 230/460V(208V DE-RATING OPERATION), 460V - 575V
	FREQUENCY	50Hz OR 60Hz
	OUTPUT RANGE	1HP~350HP
	R.P.M. (SYN.)	50Hz: 3000~750 R.P.M.(2~8 POLE) 60Hz: 3600~900 R.P.M.(2~8 POLE)
	TIME DUTY	CONTINUOUS, 50Hz: S.F. 1.10(S1, MCR) 60Hz: S.F. 1.15(S1, MCR)
	FRAME NO.	143T~449T & TS.5007~6808B
	PROTECTION ENCLOSURE	FRAME NO.143T~449T & TS: TOTALLY ENCLOSED (IP 44) FRAME NO.5007~6808B: TOTALLY ENCLOSED (IP 54)
	COOLING METHOD	SELF EXTERNAL FAN, SURFACE COOLING (IC 411).
APPLICATION	MOUNTING	HORIZONTAL FOOT MOUNTING F-1 (IM 1001), HOWEVER, F-1,F-2 ARE CHANGEABLE.
	PLACE	NON-HAZARDOUS.
	TEMPERATURE	-15°C ~40°C
	HUMIDITY	RELATIVE HUMIDITY: LESS THAN 90% RH (NON-CONDENSATION).
	ALTITUDE	LESS THAN 3,300FT (1000M).
	DRIVE METHOD	BELT SERVICE, HOWEVER, 2 POLE 25HP AND UP COUPLING SERVICE IS THE WAY.
	DIRECTION OF ROTATION	BI-DIRECTIONAL
	METHOD OF STARTING	FULL VOLTAGE DIRECT ON LINE, FOR 7.5HP & UP Y-Δ STARTING.
	BEARING	BRACKET MOUNTING, VACUUM DE-GASSED HIGH QUALITY OPEN BEARINGS WITH GREASE RELIEF VALVE FOR FRAME SIZE OF 280TS, AND 324T~405TS. GREASE PRE-PACKED SHIELDED ROLLING BEARINGS, WITH GREASE RELIEVABLE UNITS FOR THE OTHERS.
	TERMINAL BOX	CAST IRON, THE CLEARANCE HOLE CABLE ENTRANCE IN N.P.T. THREADED, CAN BE SET 90° APART, WITH CLEARANCE HOLE CABLE ENTRANCE, F-1, F-2 CHANGEABLE.
CONSTRUCTION	LEAD TERMINAL	9 LEADS, WITH SOLDERLESS LUG TERMINALS UNDER 7.5HP. 12 LEADS, WITH SOLDERLESS LUG TERMINALS FOR 7.5HP TO 125HP. 6 LEADS, WITH SOLDERLESS LUG TERMINALS OVER 125HP.
	STATOR INSULATION	CLASS F INSULATION SYSTEM
	PAINTING	PHENOLIC RUST PROOF BASE PLUS LACQUER SURFACE FINISHED PAINTING IN BLUE-GRAY COLOR (MUNSELL N5.0).
	BOLT THREAD	ISO METRIC SYSTEM
	TEST PROCEDURE	(IEEE-112 METHOD B AND FULL VOLTAGE MEASURING STARTING PERFORMANCE FOR MOTORS NOT OVER 300HP, IEEE-112 METHOD E1 AND REDUCED VOLTAGE MEASURING STARTING PERFORMANCE FOR THE OTHERS.
PERFORMANCE	TEMPERATURE RISE	NOT TO EXCEED 90°C. FOR S.F. 1.15 OR 80°C. FOR S.F. 1.0 BY RESISTANCE METHOD.
	OVER SPEED	FRAME NO.143T~449T & TS: 125% SYN. R.P.M. FOR 2 MINUTES(2~4 POLE) 150% SYN. R.P.M. FOR 2 MINUTES(6~8 POLE) FRAME NO.5007~6808B: 120% SYN. R.P.M. FOR 2 MINUTES(2 POLE) 125% SYN. R.P.M. FOR 2 MINUTES(4~8 POLE)
	OVER TORQUE	160% RATED TORQUE FOR 15 SEC.

Dimensions Totally-Enclosed Fan-Cooled Horizontal Foot-Mounted, Type AEHE

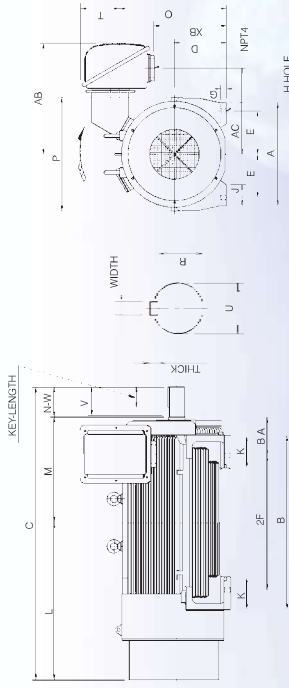


FIG. 7

1. Dimension D tolerance : +0.00 inch-0.06 inch (444T-6808B).
2. Dimension U tolerance: +0.000 inch - 0.001 inch (444T -6808B).
3. Dimension R tolerance: +0.000 inch - 0.015 inch. 4. Dimension V is the length of straight part of shaft.

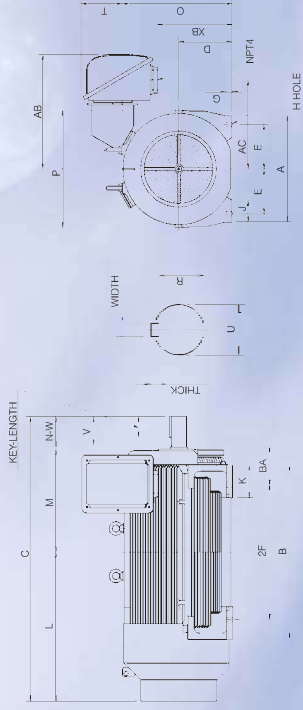


FIG. 8

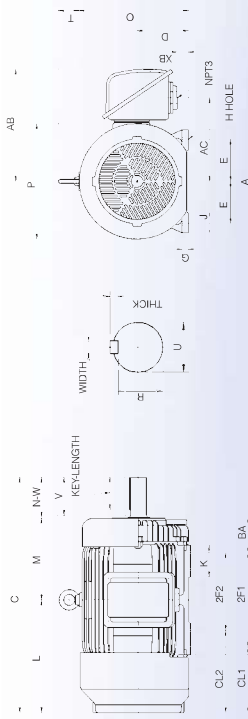


FIG. 5

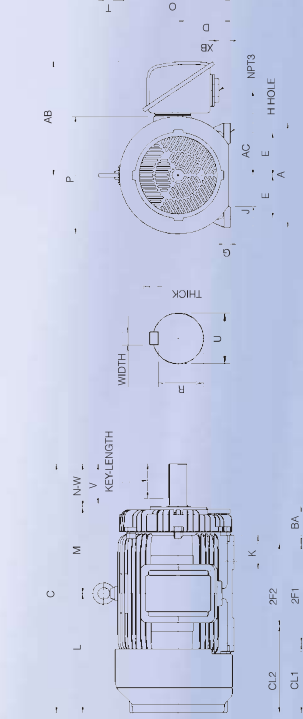


FIG. 6

OUT PUT (HP)	FRAME SIZE	FIG.	MOUNTING										A	B	C	CL1	CL2	D	G	J	K	L	
			2P	4P	6P	8P	E	2F	2F1	2F2	H	BA											
125	—	444TS	5	9.00	—	14.50	—	0.81	7.50	22.05	17.50	40.65	13.9	—	1.100	1.40	4.35	4.35	2.115				
—	125	100	75	444T	6	9.00	—	0.81	7.50	22.05	17.50	44.40	13.9	—	1.100	1.40	4.35	4.35	2.115				
—	150	—	—	445TS	5	9.00	—	0.81	7.50	22.05	18.50	42.65	13.9	15.9	1.100	1.40	4.35	5.10	22.15				
—	150	125	100	445T	6	9.00	—	0.81	7.50	22.05	18.50	46.40	13.9	15.9	1.100	1.40	4.35	5.10	22.15				
—	200	—	—	447TS	5	9.00	—	0.81	7.50	22.05	23.25	46.15	13.9	17.4	1.100	1.40	4.35	6.70	23.90				
—	200	150	125	447T	6	9.00	—	0.81	7.50	22.05	23.25	49.90	13.9	17.4	1.100	1.40	4.35	6.70	23.90				
—	250	—	—	449TS	5	9.00	—	0.81	7.50	22.05	27.85	51.15	13.9	18.9	1.100	1.40	4.35	8.25	26.40				
—	250	200	150	449T	6	9.00	—	0.81	7.50	22.02	27.85	54.90	13.9	18.9	1.100	1.40	4.35	8.25	26.40				
—	350	300	250	—	—	—	—	—	—	—	—	—	—	—	—	—	—	—	—				
400	—	—	—	5009A	7	10.00	25.00	—	0.84	8.50	25.60	34.65	69.20	—	12.50	1.85	5.90	7.10	40.85				
—	400	—	—	5009B	8	10.00	25.00	—	0.84	8.50	25.60	34.65	69.75	—	12.50	1.85	5.90	7.10	35.63				
450	—	—	—	5011A	7	10.00	36.00	—	0.84	8.50	25.60	42.50	77.15	—	12.50	1.85	5.90	7.10	44.90				
—	450	400	—	5011B	8	10.00	36.00	—	0.84	8.50	25.60	42.50	77.67	—	12.50	1.85	5.90	7.10	39.65				
600	—	—	—	5510A	7	11.50	36.00	—	1.13	10.00	25.55	44.10	81.40	—	14.50	1.70	5.90	9.65	47.65				
700	—	—	—	—	—	—	—	—	—	—	—	—	—	—	—	—	—	—	—				
450	400	—	—	5808B	6	11.50	25.00	—	1.13	10.00	25.55	36.60	74.08	—	14.50	1.70	5.90	9.65	38.20				
—	600	500	450	—	—	—	—	—	—	—	—	—	—	—	—	—	—	—	—				
700	600	500	—	5810B	8	11.50	36.00	—	1.13	10.00	29.55	44.10	81.81	—	14.50	1.70	5.90	9.65	41.93				
—	800	700	—	—	—	—	—	—	—	—	—	—	—	—	—	—	—	—	—				
—	—	—	800	6808B	—	—	—	—	1.38	11.50	35.00	48.45	87.68	—	17.00	2.00	7.10	10.65	46.30				
—	—	—	800	—	—	—	—	—	—	—	—	—	—	—	—	—	—	—	—				

★ DIMENSIONS IN INCHES

M	O	P	T	KEY SIZE			TERMINAL HOUSING			SHAFT EXTENSION			KEYSEAT		BEARINGS		APPROX. WEIGHT LBS
				WIDTH	THICK	LENGTH	AA	AB	AC	XB	N-W	U	V	R	DRIVE END	OPR. DRIVE END	
14.40	23.55	24.75	4.35	0.625	0.625	3.03	—	24.00	17.90	2.40	4.75	2.375	4.50	2.021	6314C3	6314C3	1460
14.40	23.55	24.75	4.35	0.875	0.875	6.91	—	24.00	17.90	2.40	8.50	3.375	8.00	2.880	6318	6318	1680/1550/1650
15.40	23.55	24.75	4.35	0.625	0.625	3.03	—	24.00	17.90	2.40	4.75	2.375	4.50	2.021	6314C3	6314C3	1550
15.40	23.55	24.75	4.35	0.875	0.875	6.91	—	24.00	17.90	2.40	8.50	3.375	8.00	2.880	6318	6318	1700/1850/1730
17.15	23.55	24.75	4.35	0.625	0.625	3.03	—	24.00	17.90	2.40	4.75	2.375	4.50	2.021	6314C3	6314C3	2100
17.15	23.55	24.75	4.35	0.875	0.875	6.91	—	24.00	17.90	2.40	8.50	3.375	8.00	2.880	6320	6320	2260/2160/2200
19.65	23.55	24.75	4.35	0.625	0.625	3.03	—	24.00	17.90	2.40	4.75	2.375	4.50	2.021	6314C3	6314C3	2530
19.65	23.55	24.75	4.35	0.875	0.875	6.91	—	24.00	17.90	2.40	8.50	3.375	8.00	2.880	6320	6320	2550/2750/2400 2650/3060 3100/3300/3150
21.90	27.07	28.75	7.50	0.625	0.625	4.01	—	26.20	20.10	18.60	5.75	2.625	5.50	2.275	6315C3	6315C3	3530
22.10	27.07	28.75	7.50	1.000	1.000	10.00	—	26.20	20.10	18.60	11.62	3.675	11.12	3.309	6324	6324	3700
25.60	27.07	28.75	7.50	0.625	0.625	4.01	—	26.20	20.10	18.60	5.75	2.625	5.50	2.275	6315C3	6315C3	4380 4760
26.00	27.07	28.75	7.50	1.000	1.000	10.00	—	26.20	20.10	18.60	11.62	3.675	11.12	3.309	6324	6324	4360/4600 4750/
26.95	31.45	33.85	9.45	0.625	0.625	4.01	—	30.50	24.40	21.15	5.75	2.625	5.50	2.275	6315C3	6315C3	6160
23.40	31.45	33.85	9.45	1.250	1.250	10.00	—	30.50	24.40	21.10	11.88	4.875	11.38	4.169	6326	6326	5950/6500 6650/6390
27.20	31.45	33.85	9.45	1.250	1.250	10.00	—	30.50	24.40	21.10	11.88	4.875	11.38	4.169	6326	6326	6650/6050/6390 7100/6700/
29.70	36.30	38.80	9.05	1.250	1.250	10.00	—	31.80	25.70	25.90	11.88	4.875	11.38	4.169	6326	6326	8140 8360/8700 9020